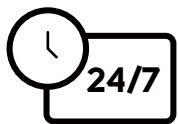


DI SERIES

DI100ST2-1

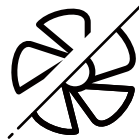
100" Fanless UHD 4K Premium Indoor LCD



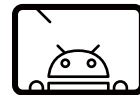
24 / 7
OPERATION



4K UHD
RESOLUTION



FANLESS



BUILT-IN
MEDIA PLAYER



TRUECOLOR™
CALIBRATED

FOR MORE INFORMATION

For more information about DynaScan, visit our site at www.dynascandisplay.com. Copyright © DynaScan Technology Inc. All rights reserved. All specifications and descriptions are subject to change without notice. Reproduction without permission is prohibited.

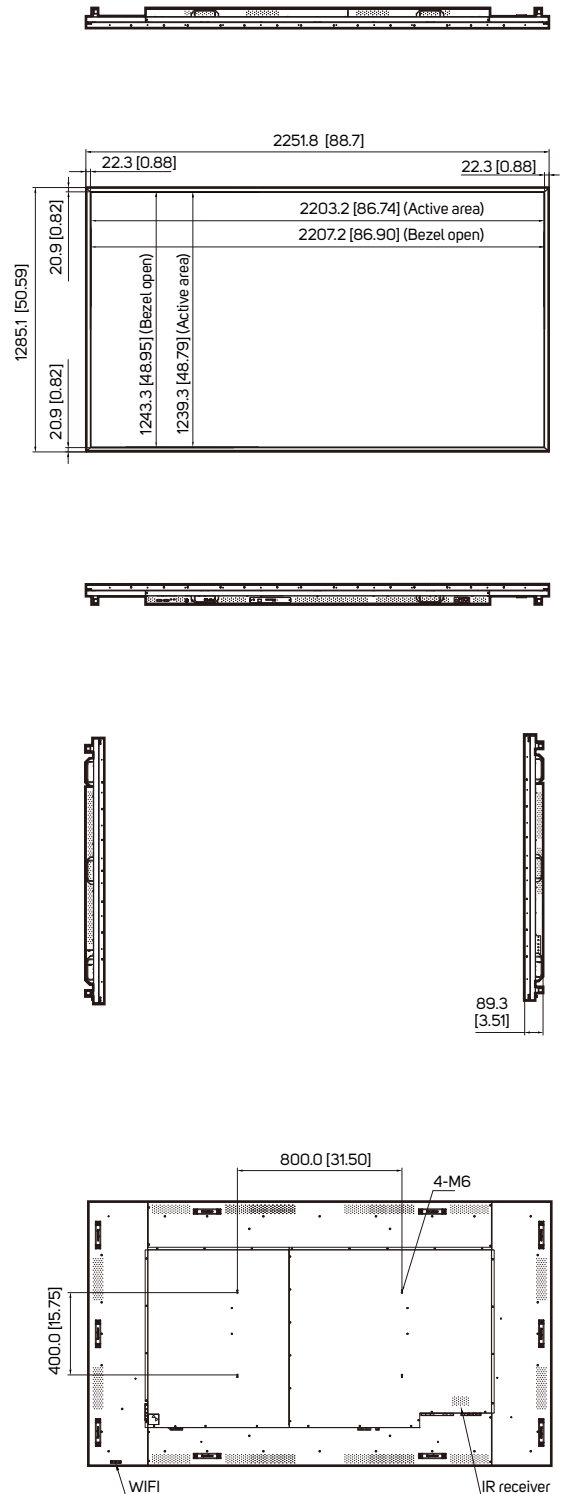
DynaScan

SPECIFICATION

| | | |
|-------------------------|-----------------------------|---|
| MODEL | DI100ST2-1 | |
| PANEL | LCD Panel Type | 99.5 inches LCD |
| | Native Resolution | 3840 x 2160 |
| | Backlight | LED |
| | Default Color Temperature | D65 (6500 K) |
| | Brightness | 700 nits |
| | Color Depth | 10 bits |
| | Contrast Ratio | 3000 : 1 |
| | Response Time (Typ.) | 6.5 ms |
| | Viewing Angle (H/V) | 178° / 178° |
| | Light Life Time (Typ.) | 50,000 hrs |
| POWER | Panel Surface | AGLR, 3H |
| | Power Supply | Internal |
| | Rated Voltage | 100-240V ~ 50/60Hz |
| MECHANICAL SPECS | Power On Mode (Typ./ Max) | 500 W |
| | Power Saving Mode | < 1 W |
| | Bezel Width (T/B/L/R) | 20.9 / 20.9 / 22.3 / 22.3 mm |
| | Cabinet Color | Black |
| | Monitor Dimension (LxHxD) | 2251.8 x 1285.1 x 89.3 mm |
| | Monitor Weight | 93 kg |
| | Orientation | Portrait / Landscape |
| | VESA Mounting (LxH) | 800 x 400 mm |
| | Carrying Handles | Yes |
| | Fanless Design | Yes |
| USER INTERFACE | Language | English |
| | Support SNMP (Up to V3.0) | Yes |
| | Image Retention Protection | Yes |
| | Ambient Light Sensor | Yes |
| | Power On/Off Scheduling | Yes |
| | Internal Temperature Sensor | Yes |
| | OSD Menu Rotation | Yes |
| INPUT | HDMI | x2 (2160P) |
| | DisplayPort | x1 |
| | USB | x1 (For Internal Player), x1 (Service Port) |
| OUTPUT | SD Slot | x1 |
| | Audio | x1 |
| EXTERNAL CONTROL | RS-232 | In x1, Out x1 |
| | RJ-45 | x1 (LAN) |
| INTERNAL PLAYER | Operating System | Android 7.1.2 |
| | Processor | ARM Quad-Core Cortex-A17 |
| | Clock Speed | 1.6GHz |
| | Main Memory Interface | DDR3, 2G |
| | Graphics | Mali-T764 GPU |
| | Storage | Internal: 8GB eMMC Flash External: Support SD , Up to 32GB |
| | Multimedia | 4K 10bits H265/H264 video decoders 1080P other video decoders (VC-1, MPEG-1/2/4, VP8) 1080P video encoder for H.264 and VP8 |
| ENVIRONMENT | Wi-Fi Specification | 802.11 b/g/n 2412.0MHz - 2462.0MHz |
| | Operating Temperature | 0° C ~ 40° C |
| | Storage Temperature | -20° C ~ 60° C |
| CERTIFICATION | Humidity | 10% ~ 80% RH Non-condensing |
| | CE / FCC / RoHS | |

DIMENSIONS

Unit: mm [inch]



INTERFACE

